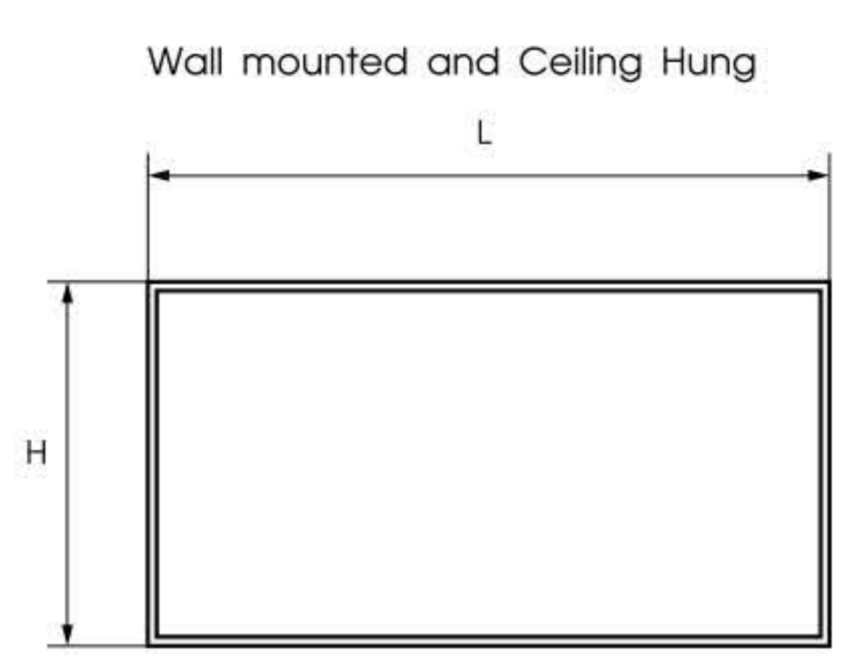
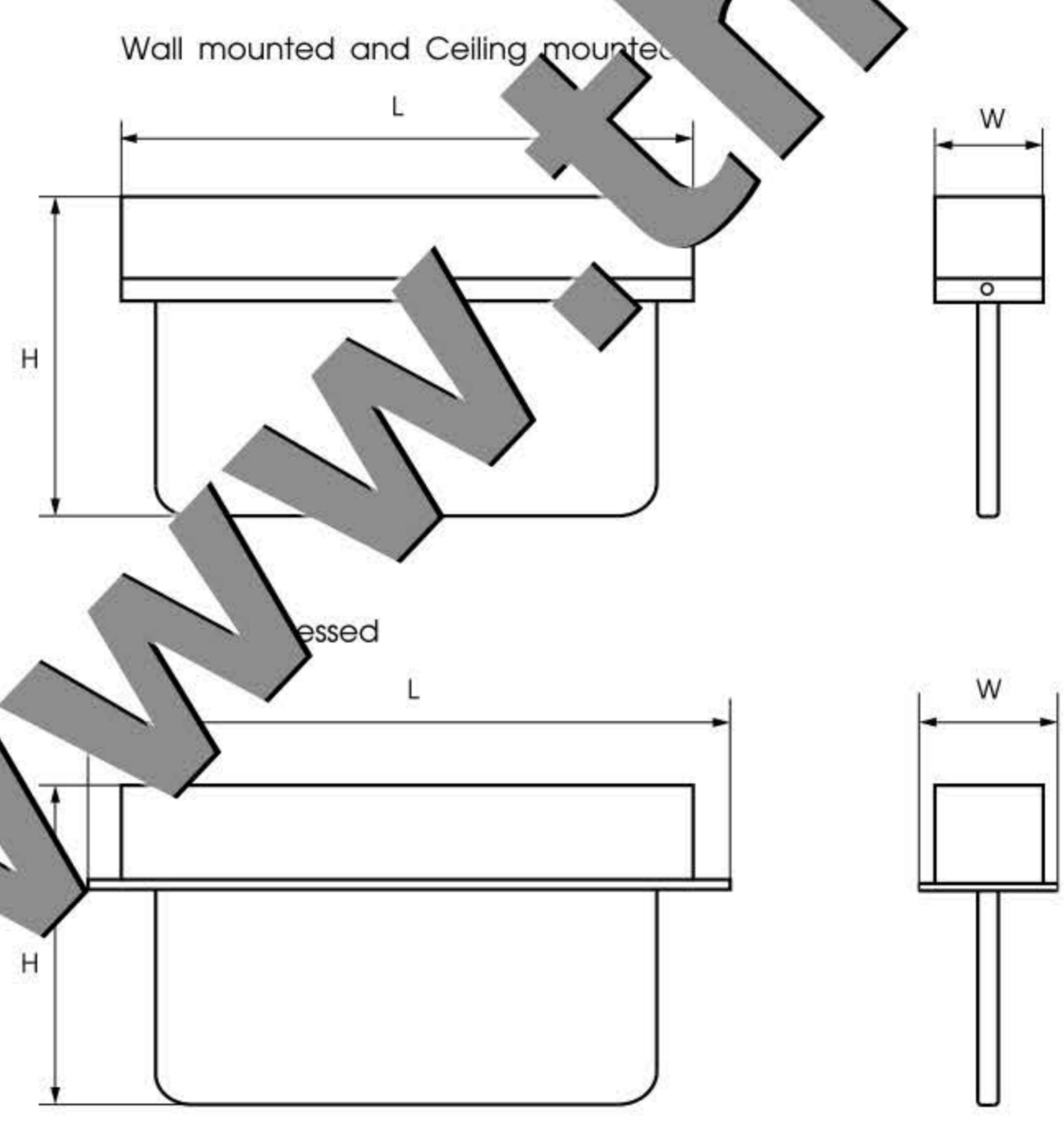




Box Type Dimension



Slim Line Type



Standard Symbol (EIT Standard 2004-54)



SD-001



SD-002



SD-003



SD-004

www.thailandandsafety.com